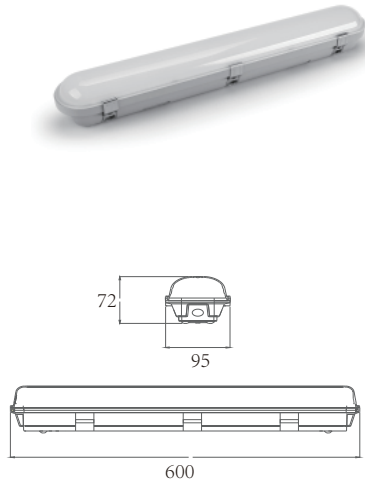


Description:

High transparency, soft&uniform light distribution; latch design make the lampshade dis-assembly and assembly easier. Dust-proof waterproof rating as IP65.Anti-corrosion, shock resistance, easy cleaning, energy saving and environmental protection



Item Code:	CIR-T118-20W
Product Type:	LED damp proof light
Main Material:	Polycarbonate
Finishing	Polycarbonate
Color:	Grey and opal
Adjustable:	No
Input:	220-240VAC
Light source:	LED
Power(W):	20W
Output Lumen(lm):	2400lm
CCT(K)	3000K 4000K 6000K
CRI:	80+
Beam Angle(°):	120°
UGR:	<22
Dimmable:	No
Dimention(mm):	600 x 95 x 72mm
Installation:	Ceiling/ wall mounted
Cutout(mm):	NA
Safety Class:	Class II
IP Rating:	IP65
Options:	NA