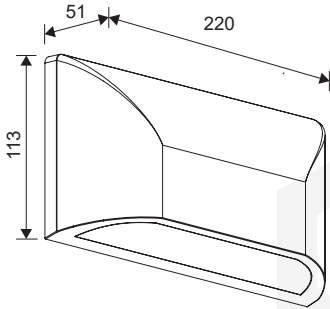




Description:

Wall mount LED light, UV resistant, and anti-corrosion



Item Code:	CIR-PW2202-6W
Product Type:	LED ceiling light
Main Material:	Polycarbonate
Finishing	Polycarbonate
Color:	Grey Black White
Adjustable:	No
Input:	220-240VAC
Light source:	LED
Power(W):	6W
Output Lumen(lm):	300lm
CCT(K)	3000K 4000K 6000K
CRI:	80+
Beam Angle(°):	120°
UGR:	<22
Dimmable:	No
Dimensions(mm):	220 x 113 x 58 mm
Installation:	Surface mounting
Cutout(mm):	NA
Safety Class:	Class II
IP Rating:	IP65
Options:	NA